

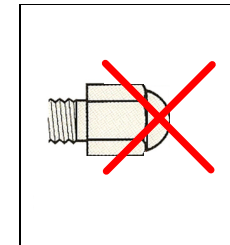


MOUNTING INSTRUCTIONS ALLOY-LINE

- Frequent changing of the Rigidisc may cause weakening of the fixing clamps.
- Always check the condition of all parts before attaching the Rigidiscs to the wheels. The Rigidiscs should not be attached if any part is missing or damaged.
- Do not fit to wheels with a positive protrusion (where the inner wheel extends beyond the rim).
- Incorrect installation, installation with worn or damaged parts or installation with parts that are not original, will result in loss of warranty and liability.
- Avoid contact with sidewalks.
- Do not mount additional profiles to the faceplate.
- Maximum speed is 180 km/h.
- Do not use in icy or snowy conditions.
- Do not use off-road.
- Do not combine Rigidiscs with snow chains.
- Always follow the instructions and legal rules as given by (local) authorities.
- Always follow the instructions as given by your car, wheel and tire supplier.
- Check for tire pressure in regular intervals (e.g. Every 2 to 3 weeks).
- Check your wheel bolt/nuts in regular intervals (e.g. Every 3 weeks).
- Check and clean the Rigidisc installation and parts in regular intervals (e.g. Every 3 weeks).
- Replace parts by original Rigidisc parts only, in case of damage or signs of fatigue.

Remarks before installation:

- Mount to a minimum of 3 wheelbolts/lugnuts per wheel.
- Do not mount to chromed wheelbolts/lugnuts.
- Do not mount to domed wheelbolts/lugnuts. Remove the domed part or replace the wheelbolts/lugnuts.



NOT FOLLOWING THESE INSTRUCTIONS RESULTS IN LOSS OF WARRANTY !!



Installation of the Rigidisc;

- A. Make sure you have all the parts and that no part shows any sign of wear or damage.
- B. Remove hubcaps, design caps, ornamental fittings and bolt/nut caps.
- C. Slide the fixing clamp over the lug nut. Important Note: It is critical that the fixing clamp overlaps the log bolt/nut **a minimum of 6mm!!** (Figure 1)
- D. Slide the fixing cap over the fixing clamp (Figure 2).
- E. Determine which spacers are needed by measuring the distance between the end of the fixing caps and the plane of the wheel rim (Figure 3).
 - a) hold a straight edge (such as a ruler) up against the wheel rim or outer hub.
 - b) measure the distance from the straight edge to the fixing cap.
 - c) determine the spacer configuration from the following table (Figure 4).

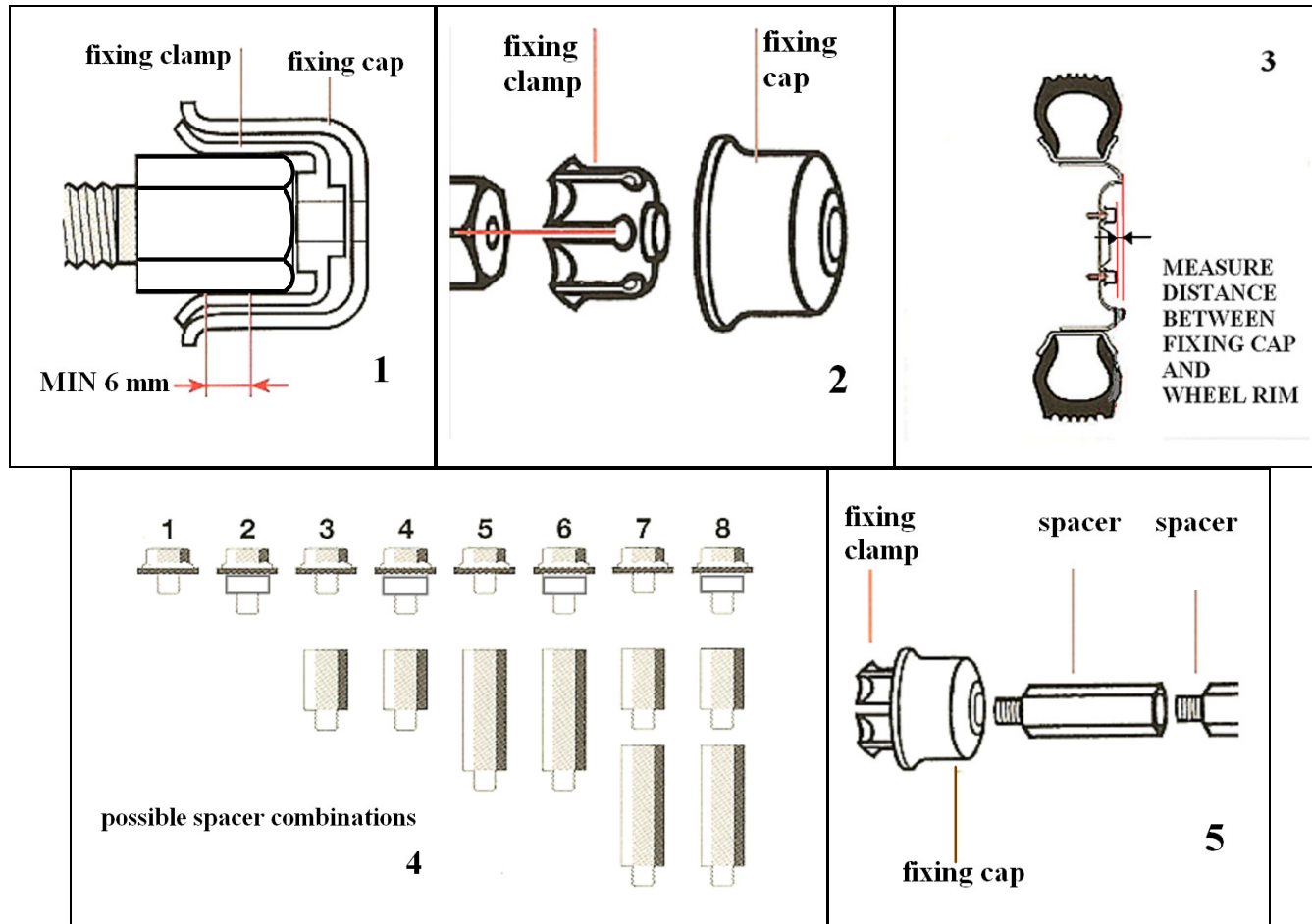
determine distance between fixing cap and wheel rim

from	0	13	22	31	40	49	58	67	mm
to	13	22	31	40	49	58	67	76	mm
use spacer combination	1	2	3	4	5	6	7	8	

Note: choose for 1 higher step in spacer configuration in case of interference with your air valve.

- F. Screw the spacer through the fixing cap into the fixing clamp by hand. Then fix the next spacer to the first (if necessary) and tighten (Figure 5). Repeat this for all caps/clamps. Then slide the alignment tool over the spacers. Now tighten the spacers firmly, using a wrench. Remove the alignment tool. This step is not needed for spacer configurations 1 and 2.
- G. Place a mounting screw through the first hole of the adapter plate and tighten it by hand. Now install the other mounting screws and firmly tighten them in a diagonal pattern. Turn the bracket by hand and make sure that it does not touch any of the mounting screws.
Note: use a “short” screws in combinations 1, 3, 5 and 7; use a “long” screw in combinations: 2, 4, 6 and 8 (when a nylon spacer is used).
- H. Turn the bracket so that the alignment holes are aligned horizontally. Slide the alignment bushings off the faceplate into the alignment holes of the bracket. Mount the faceplate using the security screws and security tool.
- I. Check the system as follows:
 - a) Make sure that the distance between the faceplate and the tire is no less than 10 mm and greater than 30 mm.
 - b) Turn the faceplate by hand to make sure that the Rigidisc can spin freely. Re-check the installation steps if a knocking sound is heard while turning the faceplate.
 - c) Leave the window open during the first test drive and listen for any sounds coming from the Rigidisc. Always re-check the installation if a sound can be heard.

For more information please email info@rigidisc.com



RIGIDISC™

